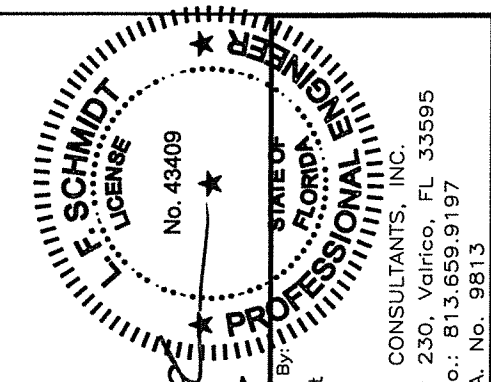
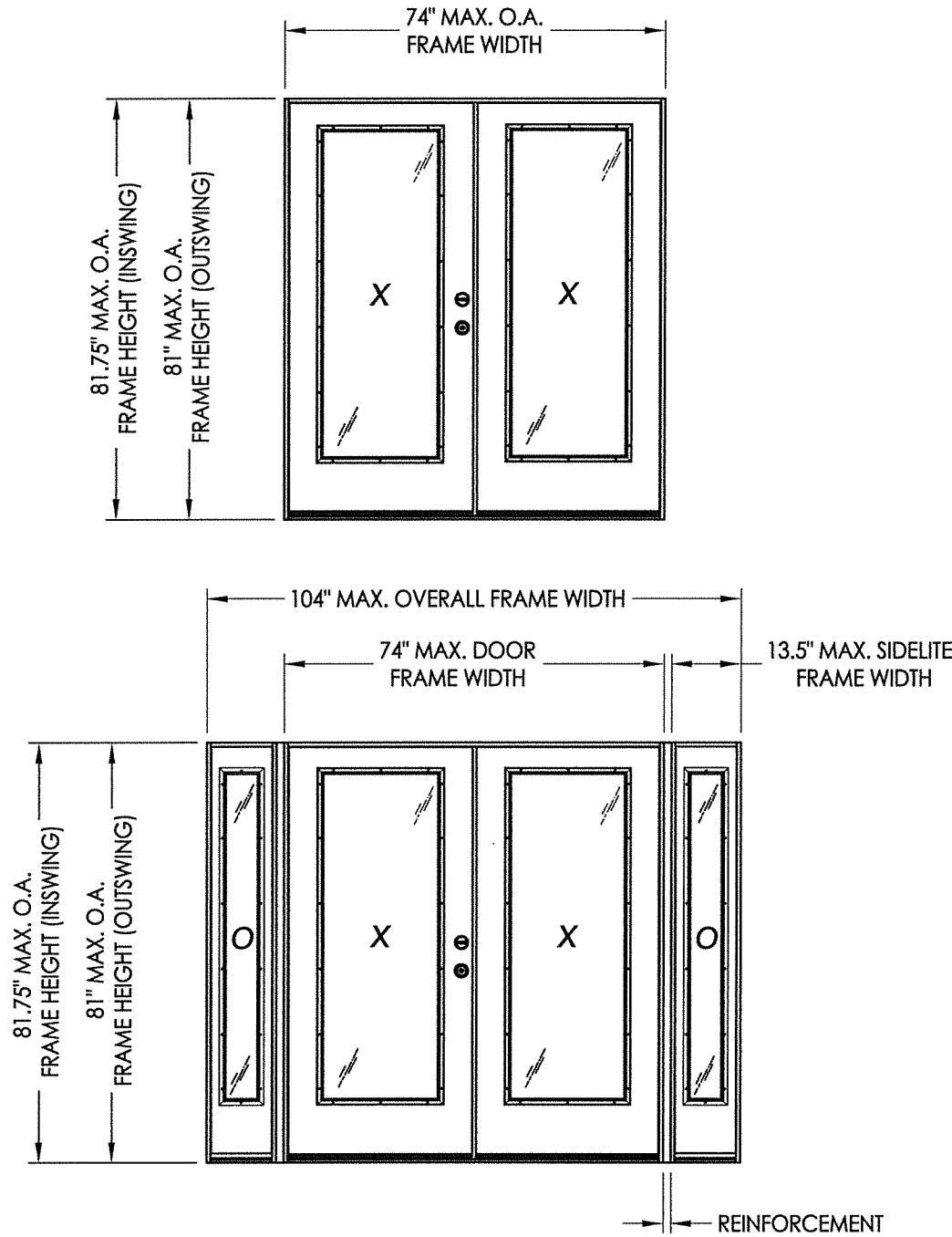




SURE ROCK GLAZED FIBERGLASS ENTRY DOORS INSWING / OUTSWING "NON-IMPACT"



Documents Prepared By:
Lyndon F. Schmidt
P.E. No. 43409

R.W. BUILDING CONSULTANTS, INC.
P.O. Box 230, Valrico, FL 33595
Phone No.: 813.659.9197
FBPE C.A. No. 9813

GENERAL NOTES

1. This product has been evaluated and is in compliance with the 6th Edition (2017) Florida Building Code (FBC) structural requirements excluding the "High Velocity Hurricane Zone" (HVHZ).
2. Product anchors shall be as listed and spaced as shown on details. Anchor embedment to base material shall be beyond wall dressing or stucco.
3. When used in areas requiring wind borne debris protection, this product is required to be protected with an impact resistant covering that complies with FBC Sections 1609.1.2 & R301.2.1.2.
4. For 2x stud framing construction, anchoring of these units shall be the same as that shown for 2x buck masonry construction.
5. Site conditions that deviate from the details of this drawing require further engineering analysis by a licensed engineer or registered architect.

PRODUCT: SURE ROCK FIBERGLASS DOORS

PART OR ASSEMBLY: TYPICAL ELEVATION, DESIGN PRESSURES & GENERAL NOTES

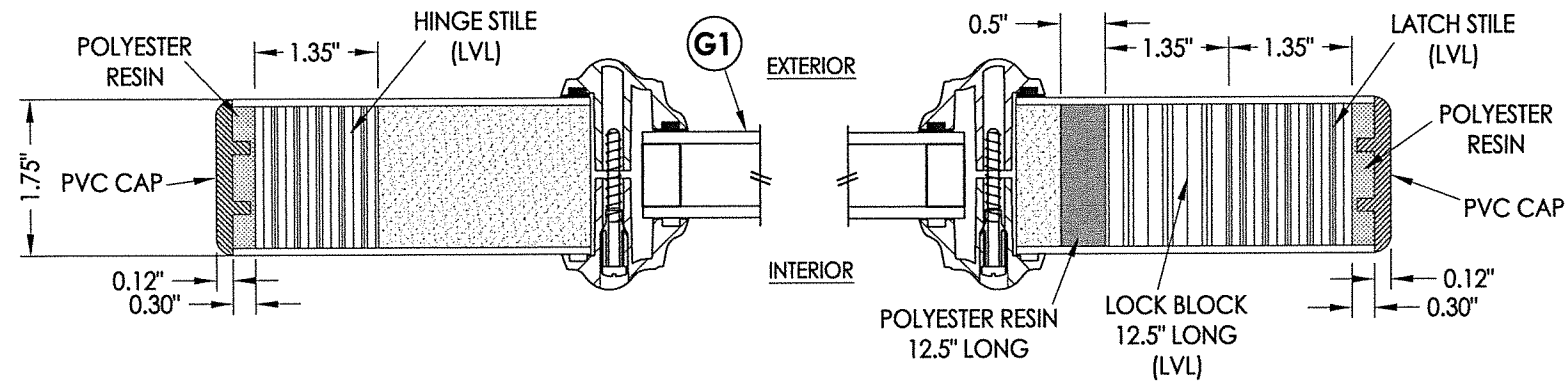
TABLE OF CONTENTS	
SHEET #	DESCRIPTION
1	Typical Elevations, Design Pressures & General Notes
2	Door Panel Details
3	Sidelite Panel Details
4	Elevations
5	Vertical & Horizontal Cross Sections (2X Buck)
6	Vertical & Horizontal Cross Sections (1X Buck)
7	Vertical & Horizontal Cross Sections (Direct to Masonry)
8	Vertical Cross Sections (Thresholds)
9	Buck Anchoring
10	Frame Anchoring & Hardware Details
11	Bill of Materials & Components

CONFIGURATION	MAX. FRAME DIMENSION	REINFORCEMENT	DESIGN PRESSURE (PSF) INSWING		DESIGN PRESSURE (PSF) OUTSWING	
			POSITIVE	NEGATIVE	POSITIVE	NEGATIVE
XX	74.0" x 81.75"	N/A	+45.0	-45.0	+45.0	-45.0
OXXO	101.0" x 81.75"	NONE	+40.0	-40.0	+40.0	-40.0
OXXO	102.5" x 81.75"	1X	+45.0	-45.0	+45.0	-45.0
OXXO	104.0" x 81.75"	2X	+45.0	-45.0	+45.0	-45.0

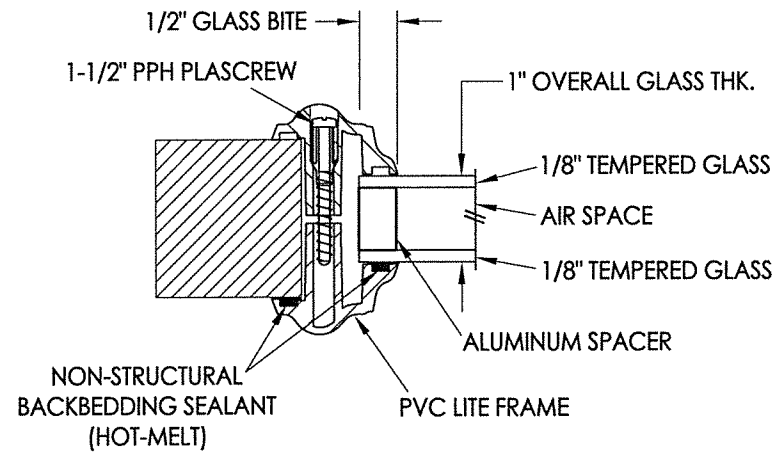
NO.	DATE	REVISIONS
1	8/03/17	UPDATE TO 6TH ED. (2017) FBC

DATE: 5/17/16
SCALE: N.T.S.
DWG. BY: JK
CHK. BY: LFS
DRAWING NO.: FL-20474.6
SHEET 1 of 11

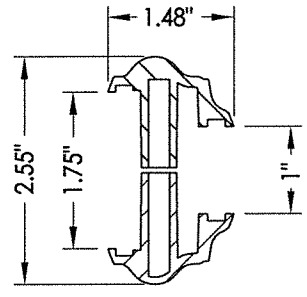
R:\Clients\HM Sure Rock PERMANENTVA - Florida Product Approvals\FL-20474\C - Drawings\FL-20474 (2014)\FL-20474.4-6.dwg, 2.3



1 HORIZONTAL CROSS SECTION
2

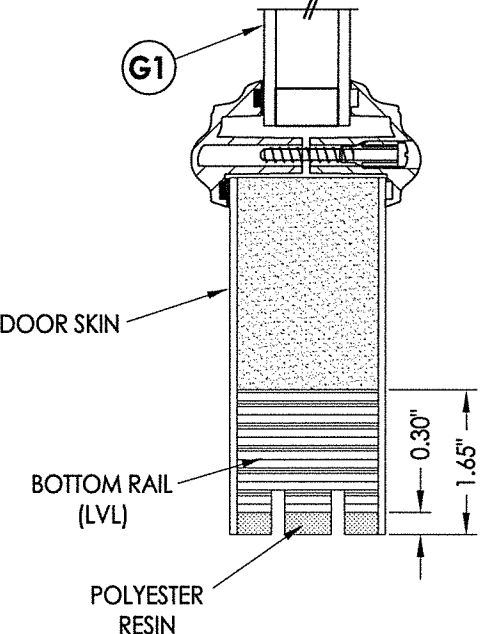
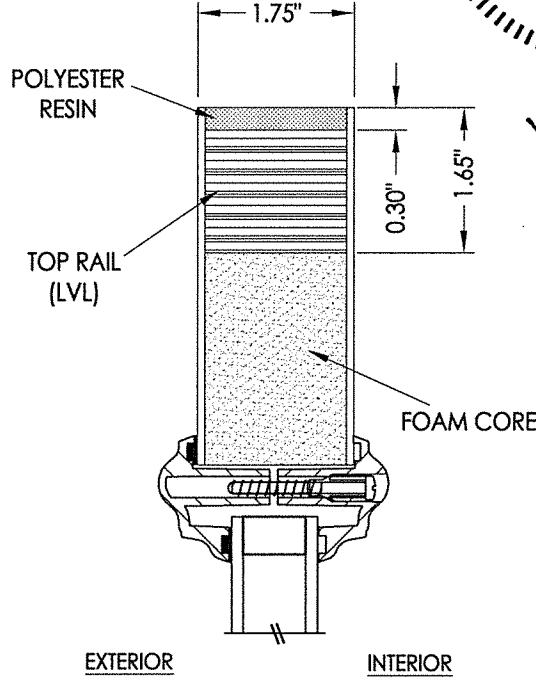


G1 GLAZING DETAIL

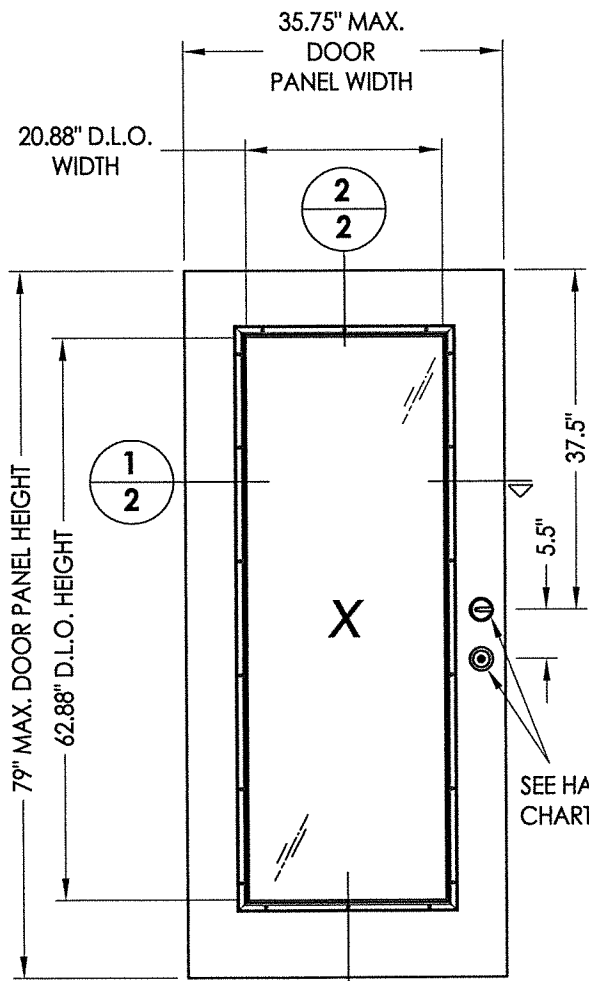


PVC LITE FRAME
HM SURE ROCK

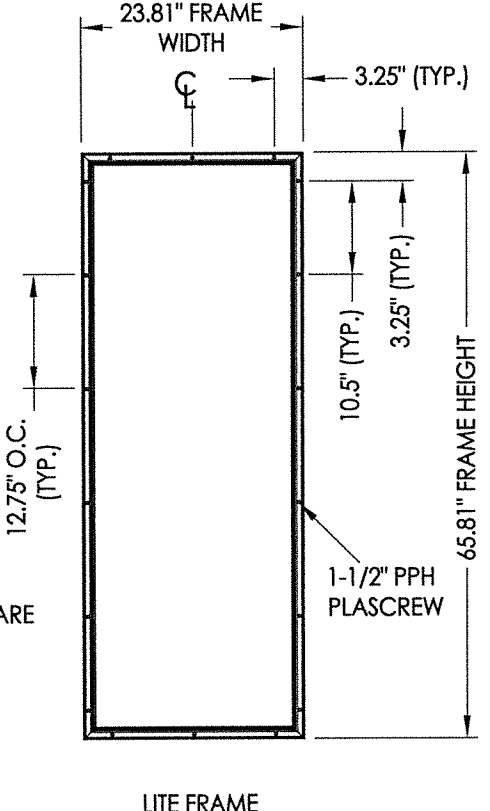
HARDWARE TABLE	
MANUFACTURER	MODEL
KWIKSET	KNOB: Signature Series
	DEADBOLT: Signature Series (980)
SCHLAGE	KNOB: F Series (F51)
	DEADBOLT: B Series (B60N)



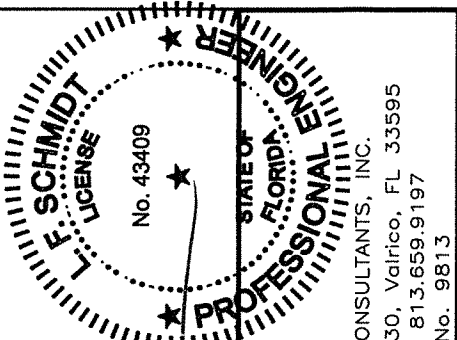
2 VERTICAL CROSS SECTION
2



40 DOOR PANEL



LITE FRAME

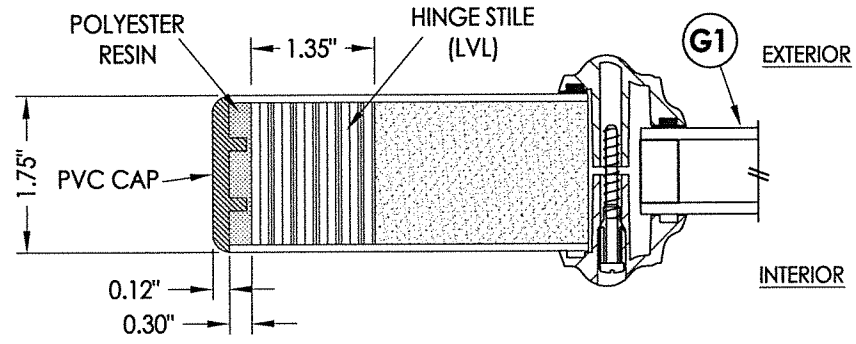


Documents Prepared By:
Lyndon F. Schmidt
P.E. No. 43409
8.3.17

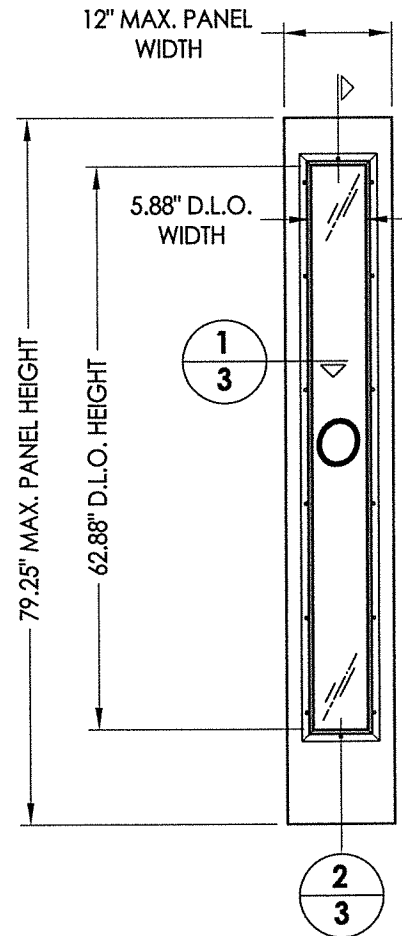
PRODUCT: FIBERGLASS DOORS
PART OR ASSEMBLY: DOOR PANEL DETAILS

NO.	DATE	BY	REVISIONS
1	8/03/17	LFS	UPDATE TO 6TH ED. (2017) FBC

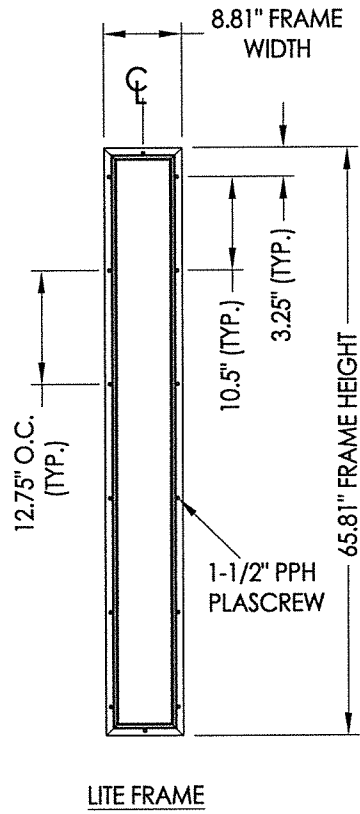
DATE: 5/17/16
SCALE: N.T.S.
DWG. BY: JK
CHK. BY: LFS
DRAWING NO.: FL-20474.6
SHEET 2 OF 11



1
3 HORIZONTAL CROSS SECTION

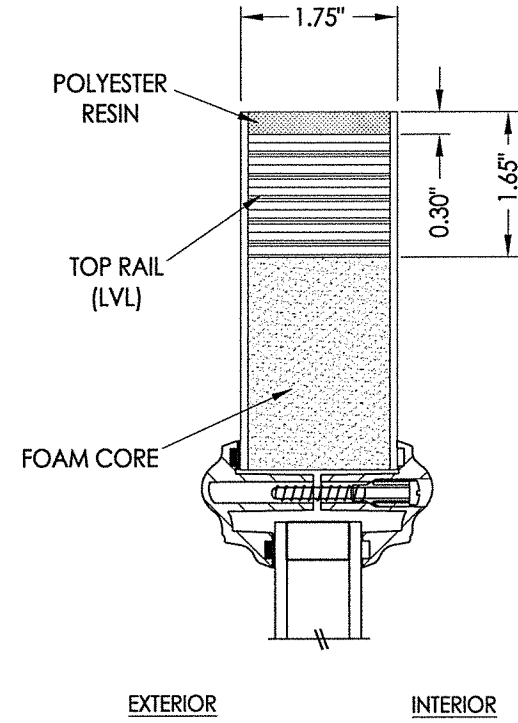


40 SIDELITE PANEL

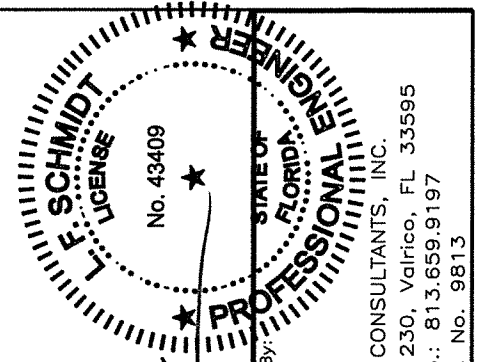
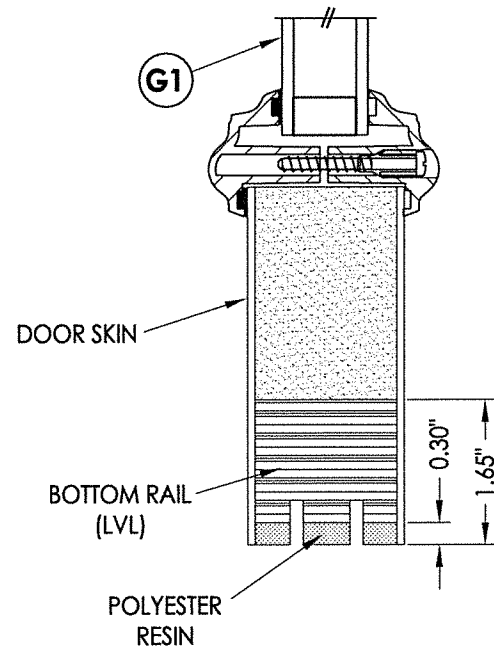


LITE FRAME

FIBERGLASS SIDELITE SKIN: MIN. 0.070" THK.
CORE MATERIAL: POLYURETHANE FOAM (1.9 PCF MIN.)



2
3 VERTICAL CROSS SECTION

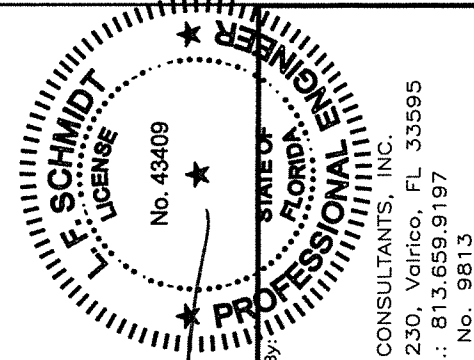
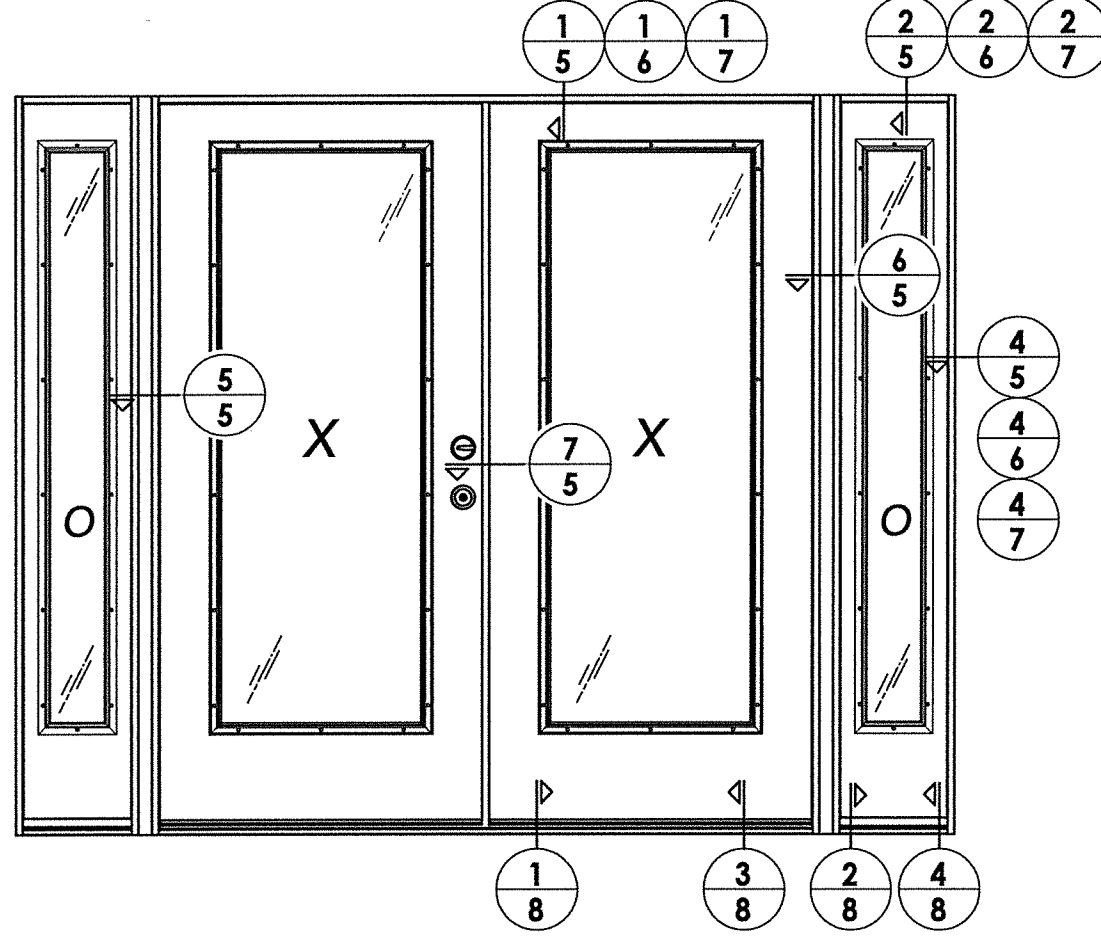
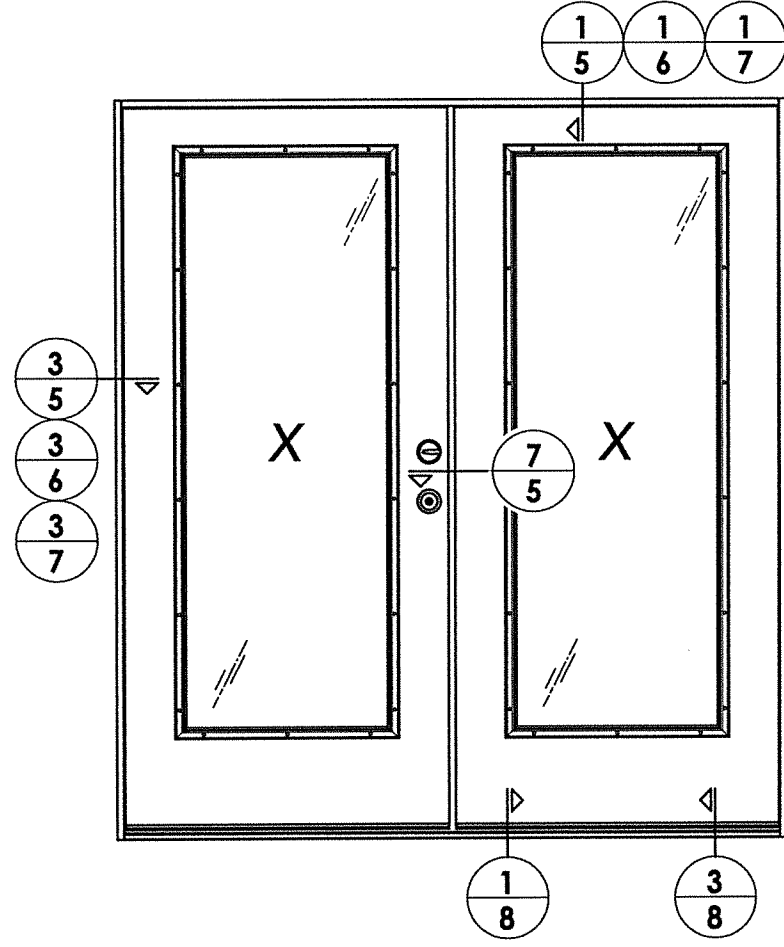


Documents Prepared By:
Lyndon F. Schmidt
P.E. No. 43409
R.W. BUILDING CONSULTANTS, INC.
P.O. Box 230, Vairico, FL 33595
Phone No.: 813.659.9197
FBPE C.A. No. 9813

PRODUCT:	SURE ROCK FIBERGLASS DOORS
PART OR ASSEMBLY:	SIDELITE PANEL DETAILS

NO.	DATE	DESCRIPTION	BY
1	8/03/17	UPDATE TO 6TH ED. (2017) FBC LFS	LFS

DATE:	5/17/16
SCALE:	N.T.S.
DWG. BY:	JK
CHK. BY:	LFS
DRAWING NO.:	FL-20474.6
SHEET	3 OF 11



FS
8.3.17

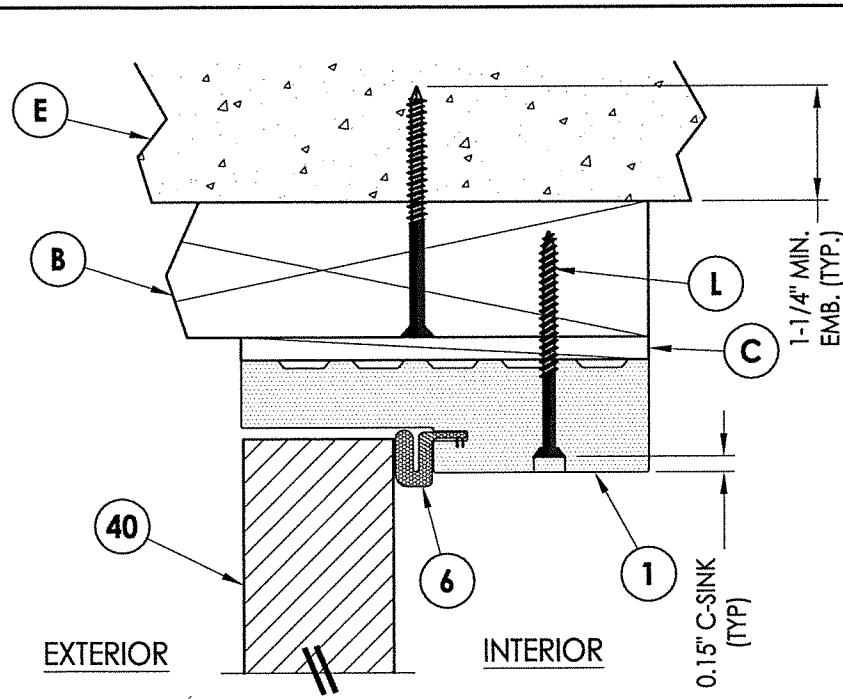
Documents Prepared By:
Lyndon F. Schmidt
P.E. No. 43409

RW

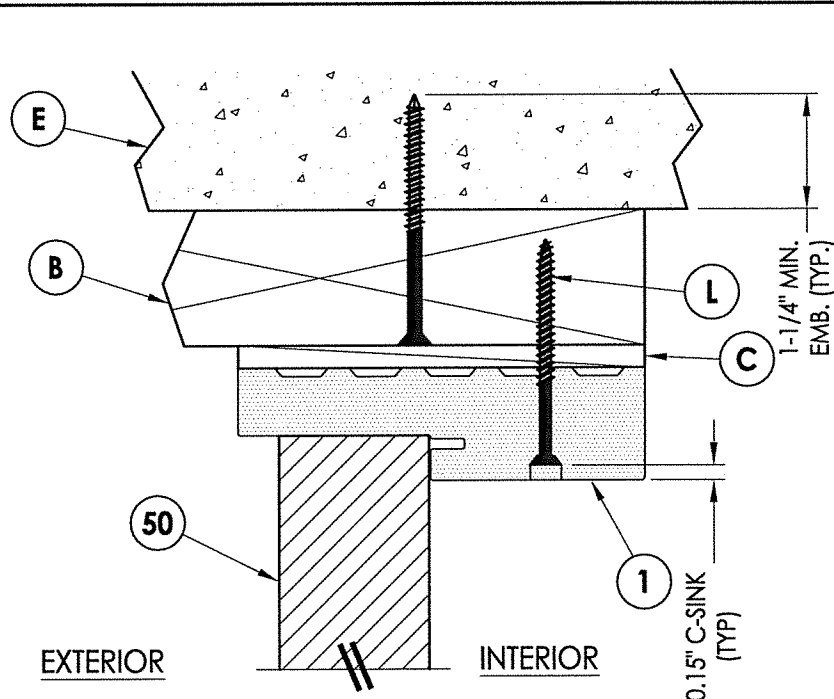
BUILDING CONSULTANTS, INC.
P.O. Box 230, Vairico, FL 33595
Phone No.: 813.659.9197
FBPE C.A. No. 9813

PRODUCT:		SURE ROCK FIBERGLASS DOORS	
PART OR ASSEMBLY:		ELEVATIONS	
NO.	DATE	BY	REVISIONS
1	8/03/17	LFS	UPDATE TO 6TH ED. (2017) FBC

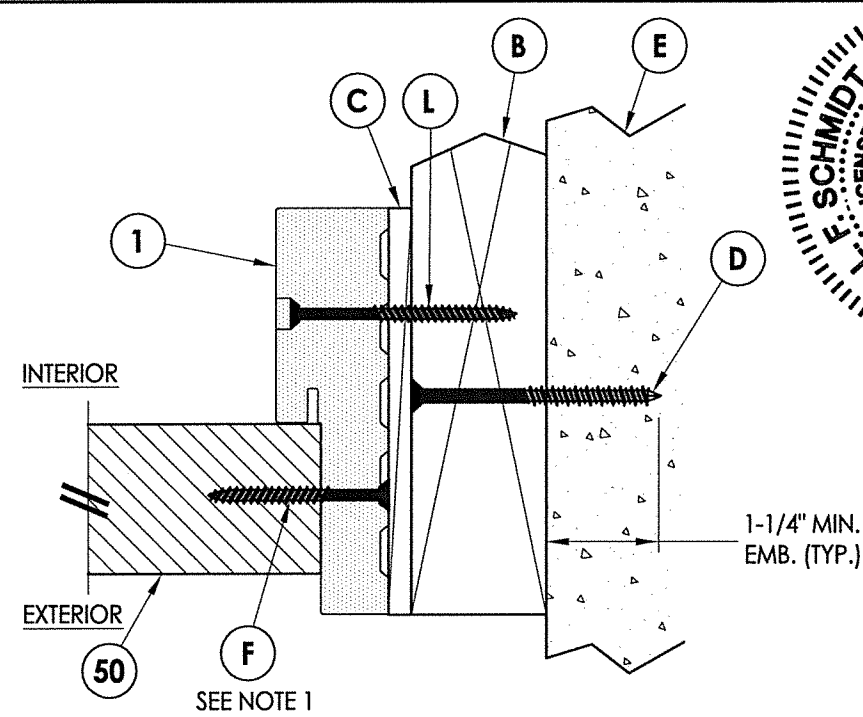
DATE: 5/17/16
SCALE: N.T.S.
DWG. BY: JK
CHK. BY: LFS
DRAWING NO.: FL-20474.6
SHEET 4 OF 11



1 VERTICAL CROSS SECTION
5 Outswing shown (Inswing similar)

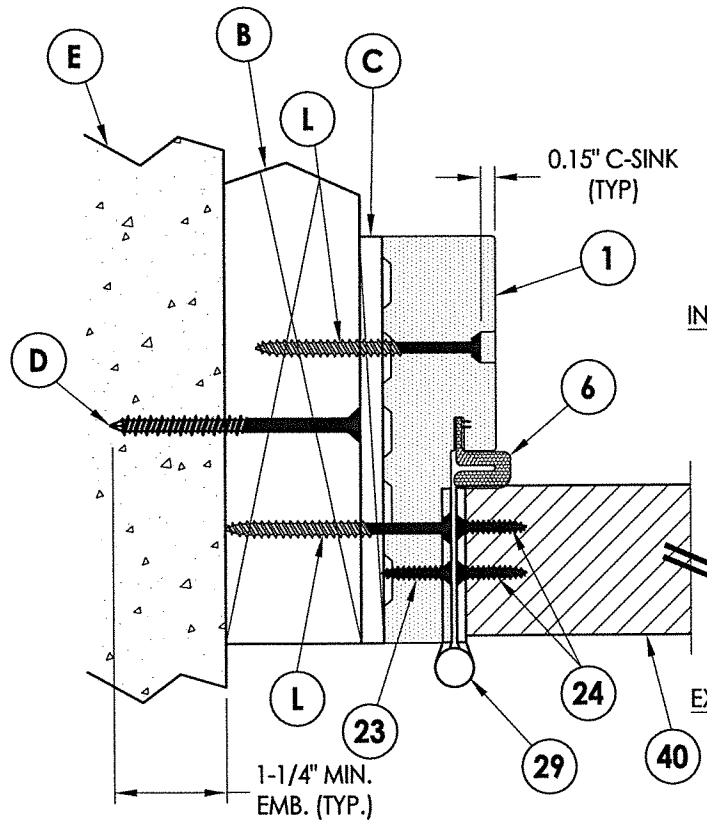


2 VERTICAL CROSS SECTION
5 Outswing shown (Inswing similar)

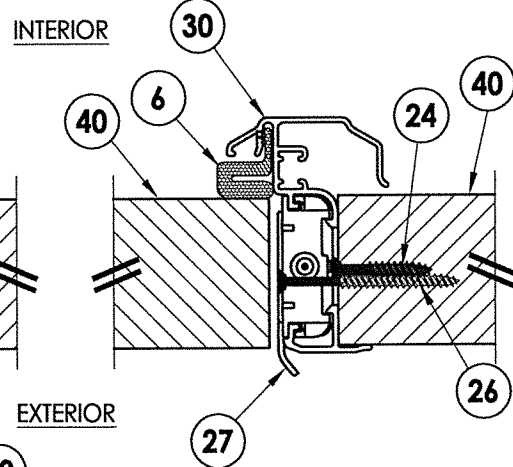


4 HORIZONTAL CROSS SECTION
5 Outswing shown (Inswing similar)

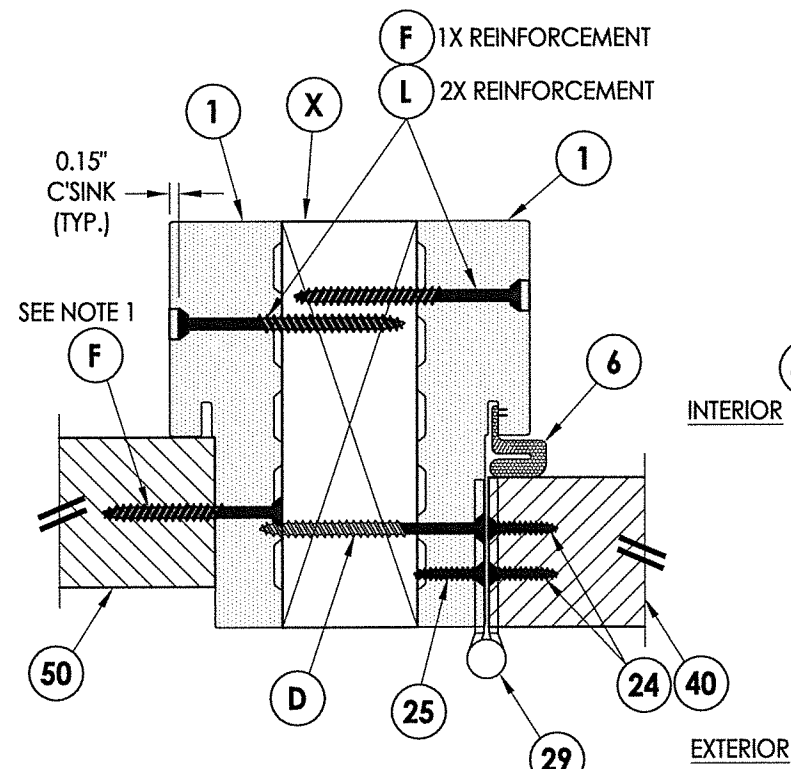
NOTE:
 1. Spacing for item F: 6" from ends and 4 more equally spaced along sidelite (6 total).



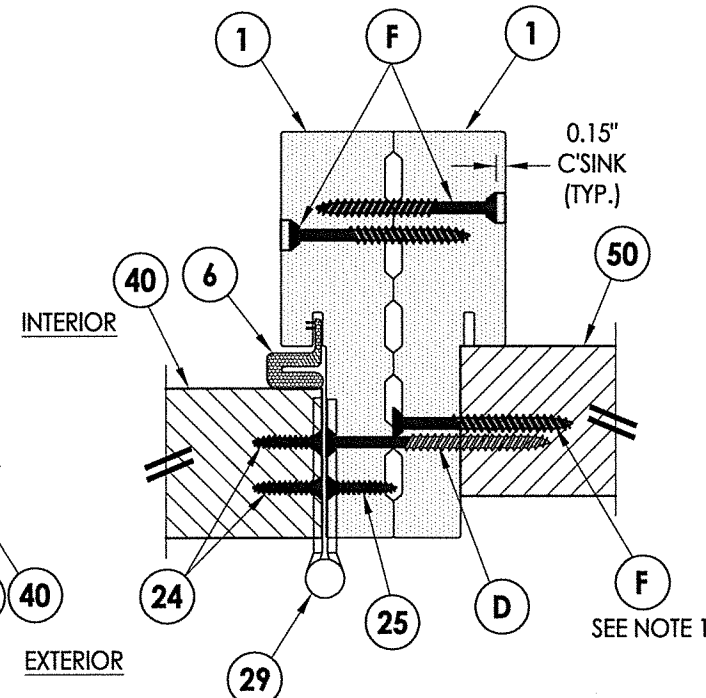
3 HORIZONTAL CROSS SECTION
5 Outswing shown (Inswing similar)



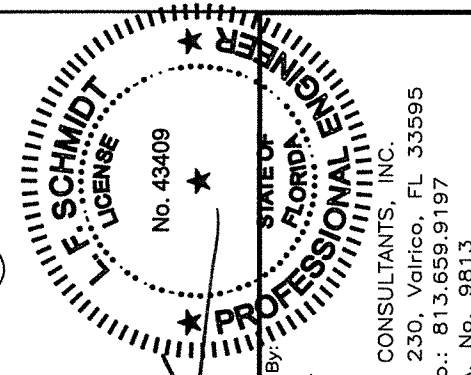
7 HORIZONTAL CROSS SECTION
5 Outswing shown (Inswing similar)



5 HORIZONTAL CROSS SECTION
5 Outswing shown (Inswing similar) Shown w/ 2X Reinforcement (1X Reinforcement Similar)



6 HORIZONTAL CROSS SECTION
5 Outswing shown (Inswing similar) Shown w/ No Reinforcement



Documents Prepared By:
 Lyndon F. Schmidt
 P.E. No. 43409
 R.W. BUILDING CONSULTANTS, INC.
 P.O. Box 230, Valrico, FL 33595
 Phone No.: 813.659.9197
 FBPE C.A. No. 9813

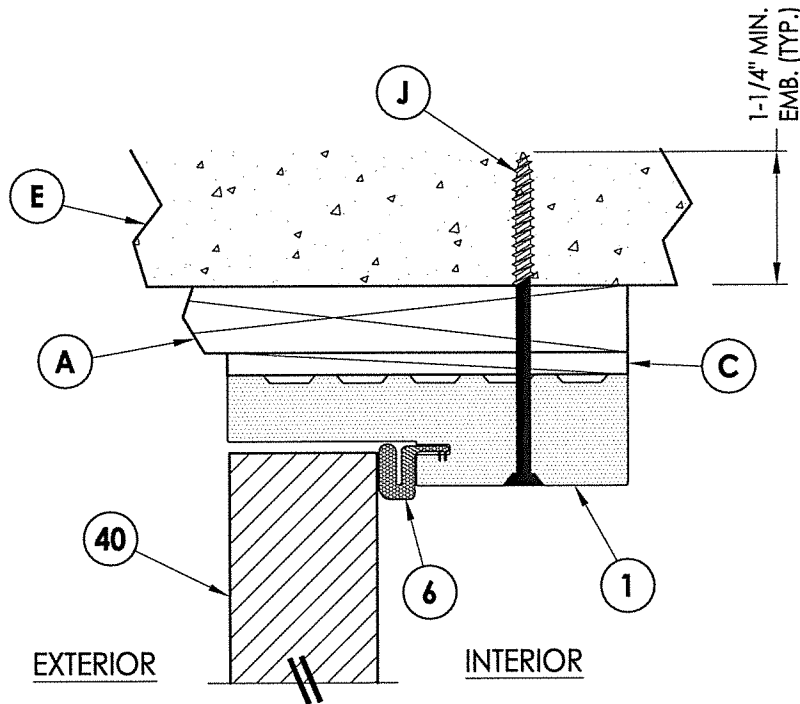
PRODUCT:
 SURE ROCK
 FIBERGLASS DOORS
 PART OR ASSEMBLY:
 HORIZONTAL & VERTICAL
 CROSS SECTIONS (2X BUCK)

NO.	DATE	BY
1	8/03/17	LFS

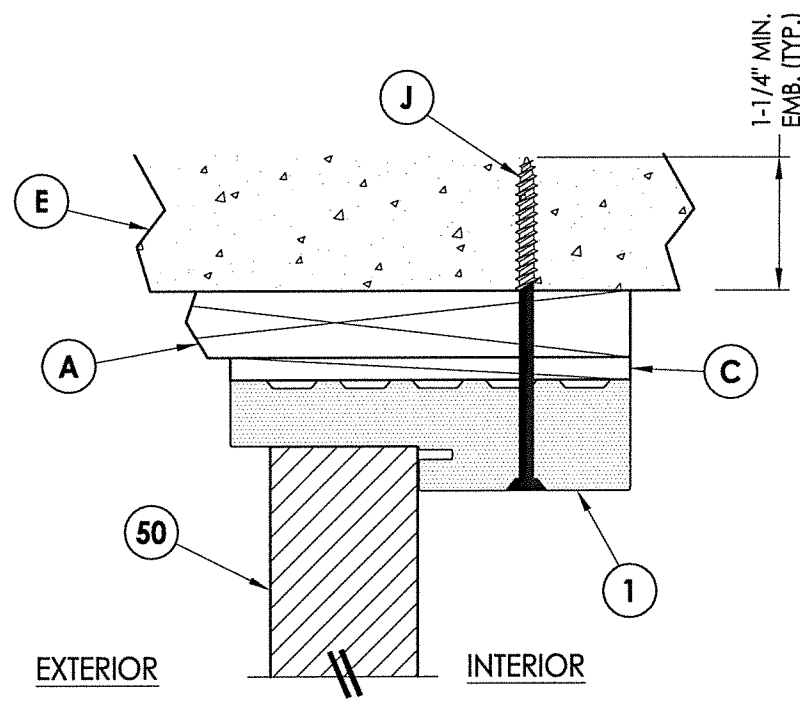
UPDATE TO 6TH ED. (2017) FBC

REVISIONS

DATE: 5/17/16
 SCALE: N.T.S.
 DWG. BY: JK
 CHK. BY: LFS
 DRAWING NO.: FL-20474.6
 SHEET 5 OF 11

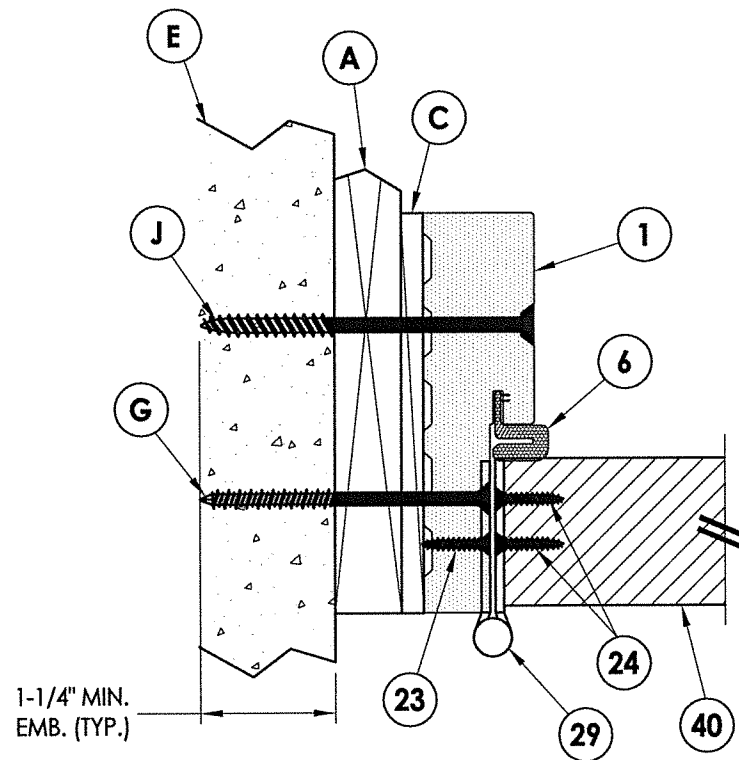


1 VERTICAL CROSS SECTION
6 Outswing shown (Inswing similar)

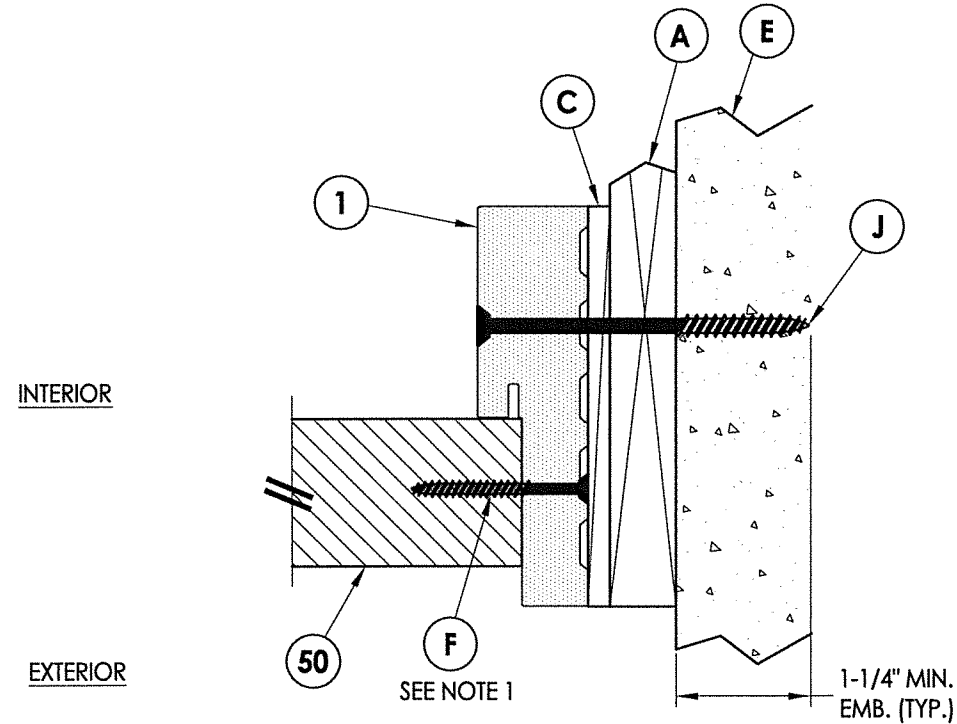


2 VERTICAL CROSS SECTION
6 Outswing shown (Inswing similar)

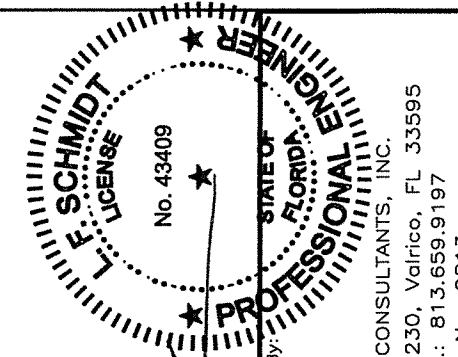
NOTE:
 1. Spacing for item F: 6" from ends and 4 more equally spaced along sidelite (6 total).



3 HORIZONTAL CROSS SECTION
6 Outswing shown (Inswing similar)

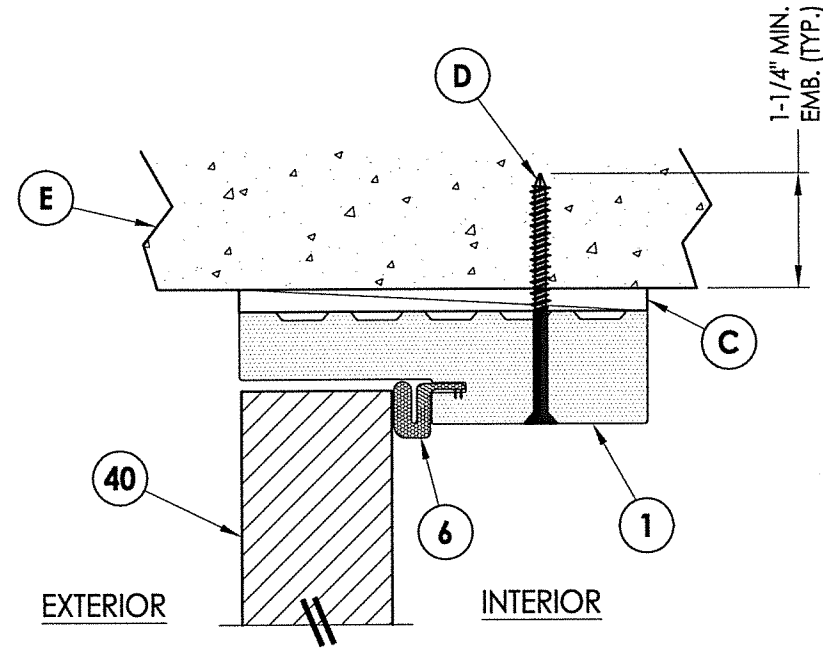


4 HORIZONTAL CROSS SECTION
6 Outswing shown (Inswing similar)

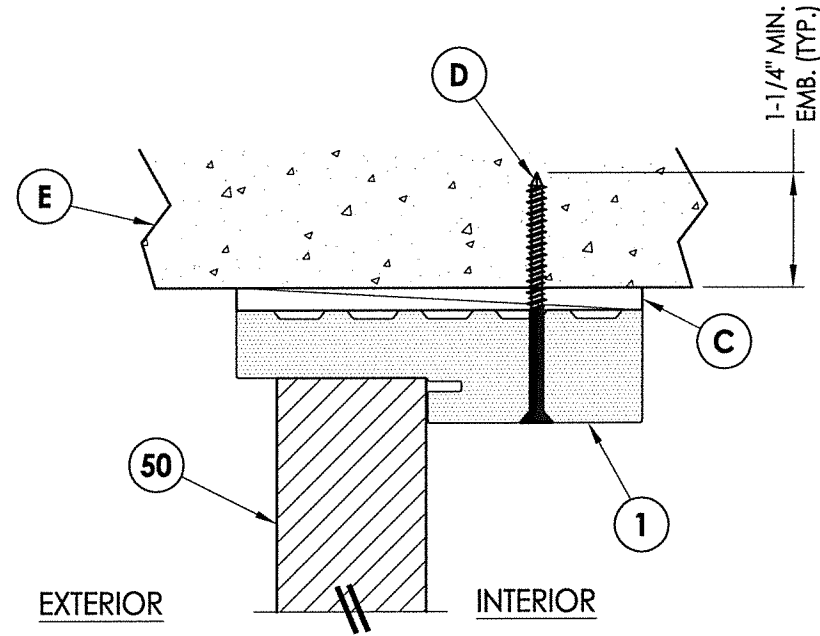


Documents Prepared By:
 Lyndon F. Schmidt
 P.E. No. 43409
 R.W. BUILDING CONSULTANTS, INC.
 P.O. Box 230, Valrico, FL 33595
 Phone No.: 813.659.9197
 FBPE C.A. No. 9813

PRODUCT:		SURE ROCK FIBERGLASS DOORS	
PART OR ASSEMBLY:		HORIZONTAL & VERTICAL CROSS SECTIONS (1X BUCK)	
NO.	DATE	BY	REVISIONS
1	8/03/17	LFS	UPDATE TO 6TH ED. (2017) FBC
DATE:		5/17/16	
SCALE:		N.T.S.	
DWG. BY:		JK	
CHK. BY:		LFS	
DRAWING NO.:		FL-20474.6	
SHEET		6 OF 11	

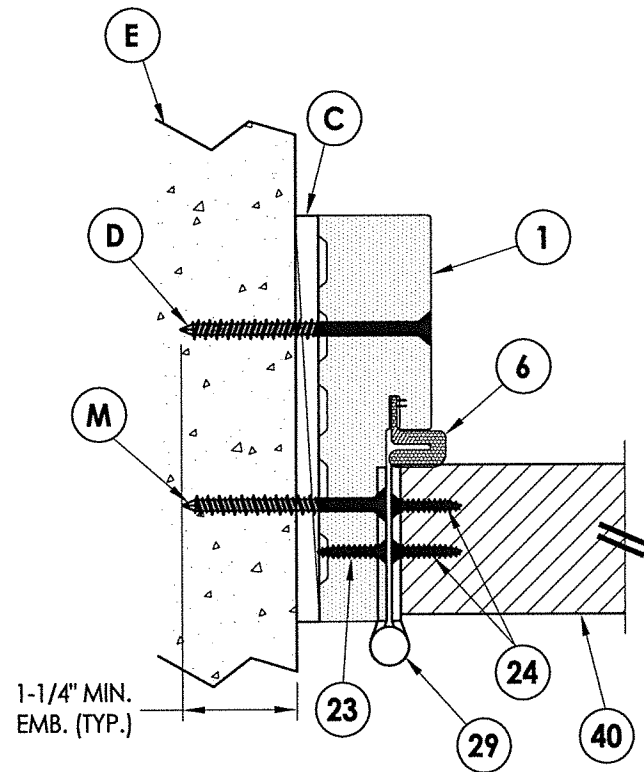


1 VERTICAL CROSS SECTION
7 Outswing shown (Inswing similar)



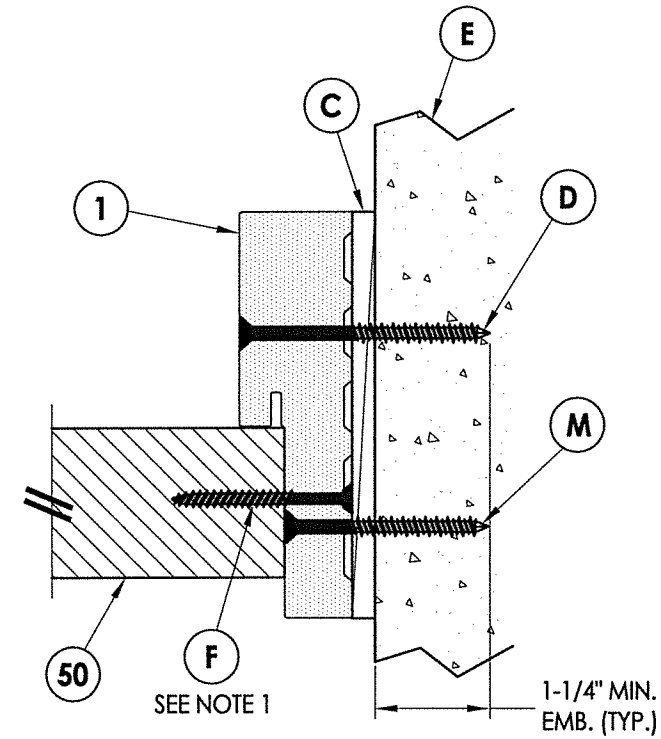
2 VERTICAL CROSS SECTION
7 Outswing shown (Inswing similar)

NOTE:
 1. Spacing for item F: 6" from ends and 4 more equally spaced along sidelite (6 total).

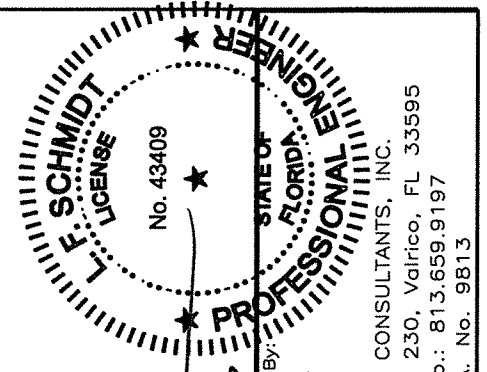


3 HORIZONTAL CROSS SECTION
7 Outswing shown (Inswing similar)

INTERIOR
 EXTERIOR



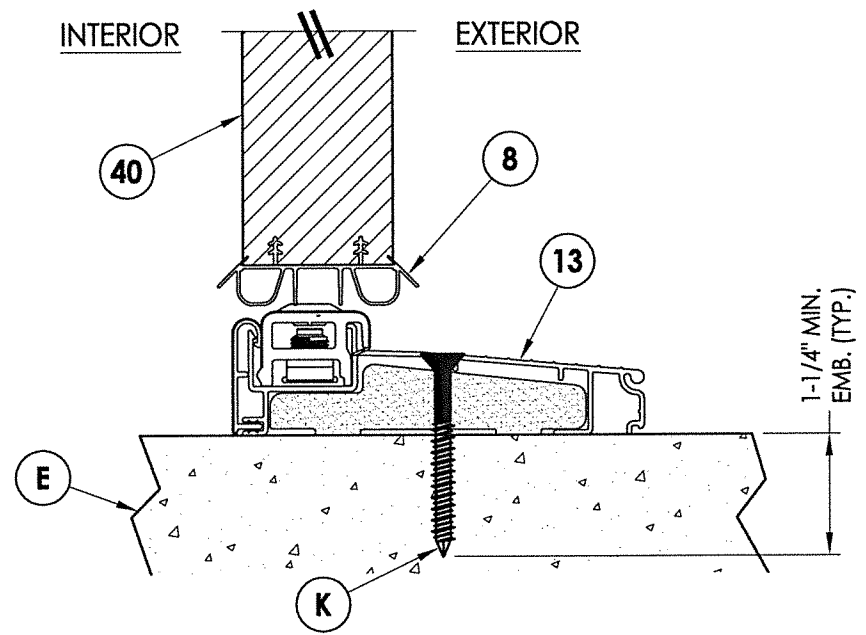
4 HORIZONTAL CROSS SECTION
7 Outswing shown (Inswing similar)



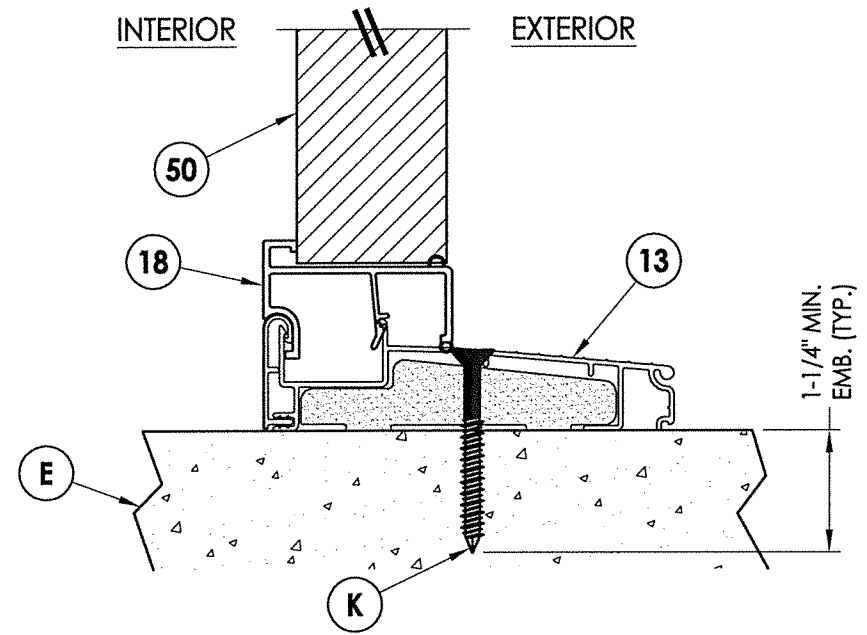
Documents Prepared By:
 Lyndon F. Schmidt
 P.E. No. 43409

R.W.
 BUILDING CONSULTANTS, INC.
 P.O. Box 230, Vairico, FL 33595
 Phone No.: 813.659.9197
 FBPE C.A. No. 9813

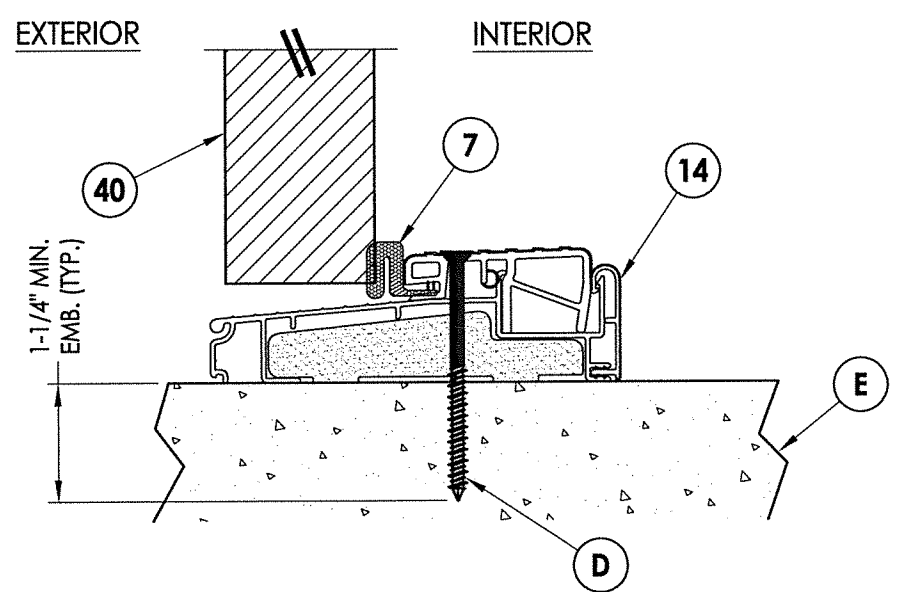
PRODUCT:		SURE ROCK FIBERGLASS DOORS	
PART OR ASSEMBLY:		HORIZONTAL & VERTICAL CROSS SECTIONS (DIRECT TO MASONRY)	
NO.	DATE	BY	REVISIONS
1	8/03/17	LFS	UPDATE TO 6TH ED. (2017) FBC
DATE: 5/17/16		SCALE: N.T.S.	
DWG. BY: JK		CHK. BY: LFS	
DRAWING NO.: FL-20474.6		SHEET 7 OF 11	



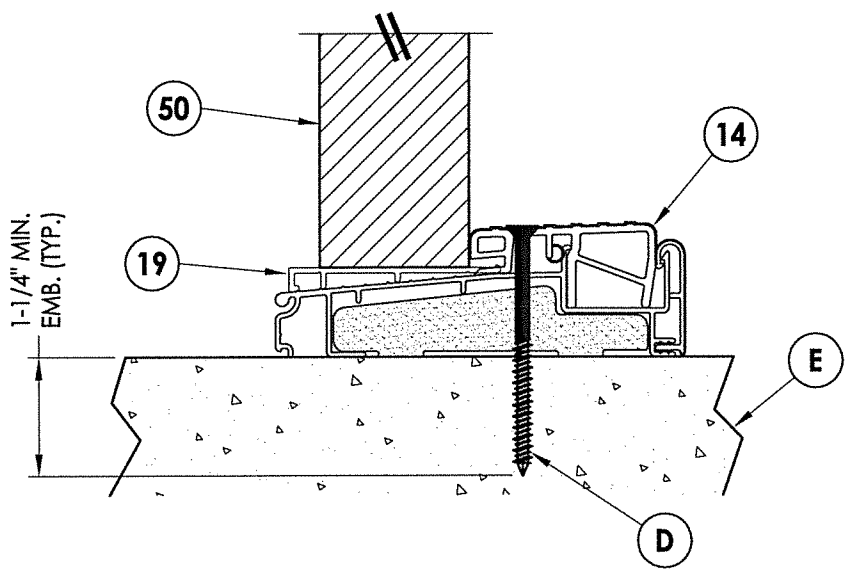
1 VERTICAL CROSS SECTION
8 Inswing Threshold



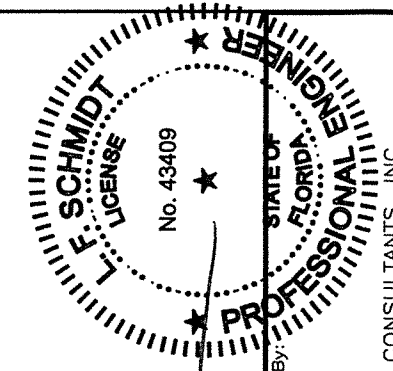
3 VERTICAL CROSS SECTION
8 Inswing Threshold



2 VERTICAL CROSS SECTION
8 Outswing Threshold



4 VERTICAL CROSS SECTION
8 Outswing Threshold



LFS
8.3.17

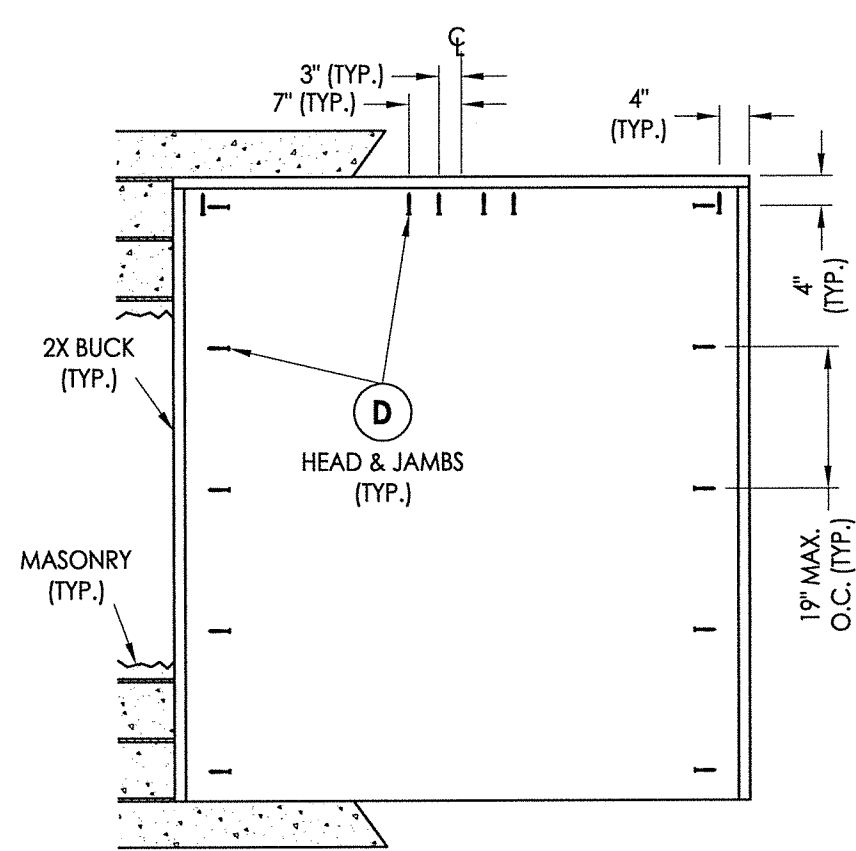
Documents Prepared By:
Lyndon F. Schmidt
P.E. No. 43409

RW BUILDING CONSULTANTS, INC.
P.O. Box 230, Valrico, FL 33595
Phone No.: 813.659.9197
FBPE C.A. No. 9813

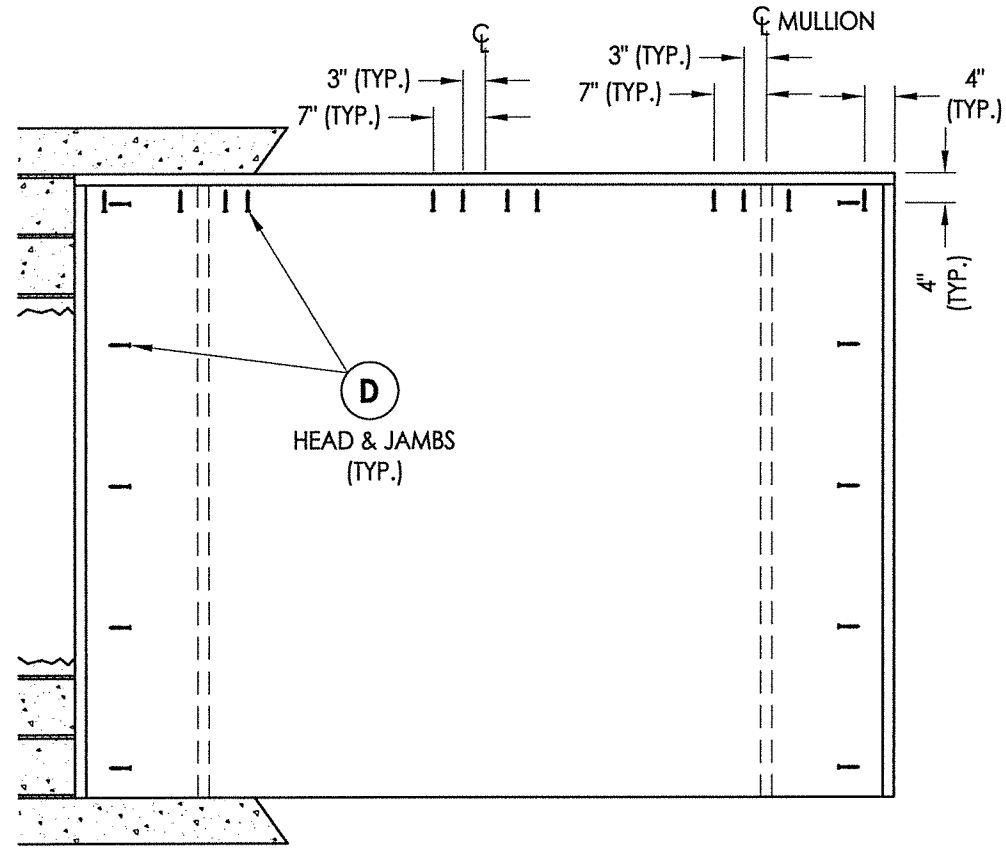
PRODUCT:	SURE ROCK FIBERGLASS DOORS
PART OR ASSEMBLY:	VERTICAL CROSS SECTIONS (THRESHOLDS)

NO.	DATE	REVISIONS	BY
1	8/03/17	UPDATE TO 6TH ED. (2017) FBC	LFS

DATE:	5/17/16
SCALE:	N.T.S.
DWG. BY:	JK
CHK. BY:	LFS
DRAWING NO.:	FL-20474.6
SHEET	8 OF 11



XX



OXXO

2X BUCK ANCHORING

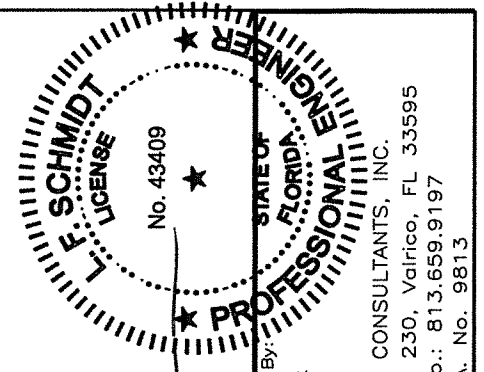
CONCRETE ANCHOR NOTES:

1. Concrete anchor locations at the corners may be adjusted to maintain the min. edge distance to mortar joints.
2. Concrete anchor locations noted as "MAX. ON CENTER" must be adjusted to maintain the min. edge distance to mortar joints, additional concrete anchors may be required to ensure the "MAX. ON CENTER" dimension are not exceeded.
3. Concrete anchor table:

ANCHOR TYPE	ANCHOR SIZE	MIN. EMBEDMENT	MIN. CLEARANCE TO MASONRY EDGE	MIN. CLEARANCE TO ADJACENT ANCHOR
ITW TAPCON®	1/4"	1-1/4"	2"	4"
ELCO ULTRACON®	1/4"	1-1/4"	1"	4"

WOOD SCREW INSTALLATION NOTES:

1. Maintain a minimum 5/8" edge distance, 1" end distance, & 1" o.c. spacing of wood screws to prevent the splitting of wood.



LFS
8-27

Documents Prepared By:
Lyndon F. Schmidt
P.E. No. 43409

RW

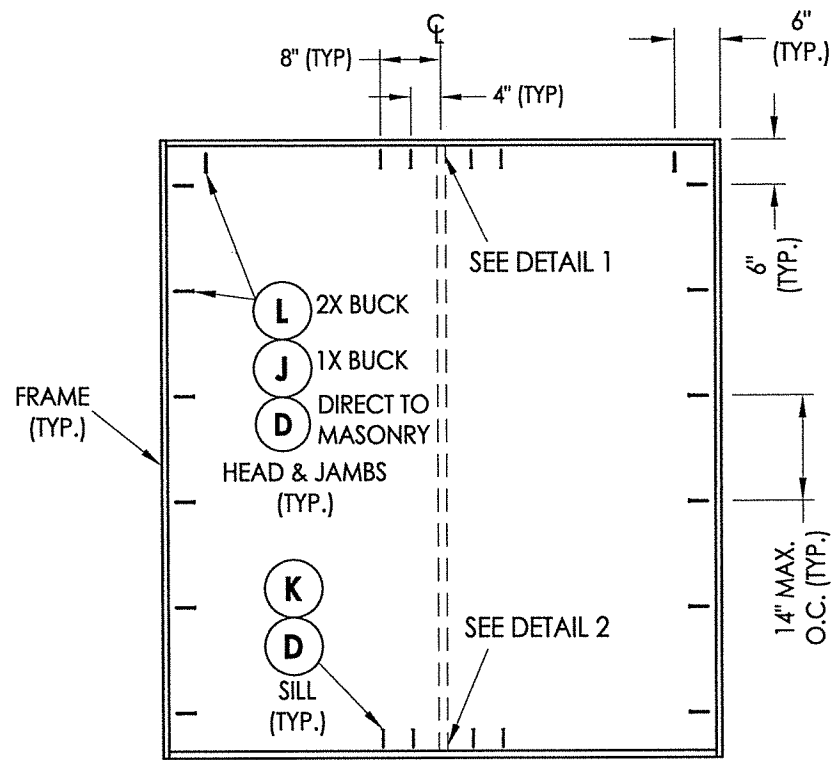
BUILDING CONSULTANTS, INC.
P.O. Box 230, Vairico, FL 33595
Phone No.: 813.659.9197
FBPE C.A. No. 9813

PRODUCT: SURE ROCK FIBERGLASS DOORS
PART OR ASSEMBLY: BUCK ANCHORING

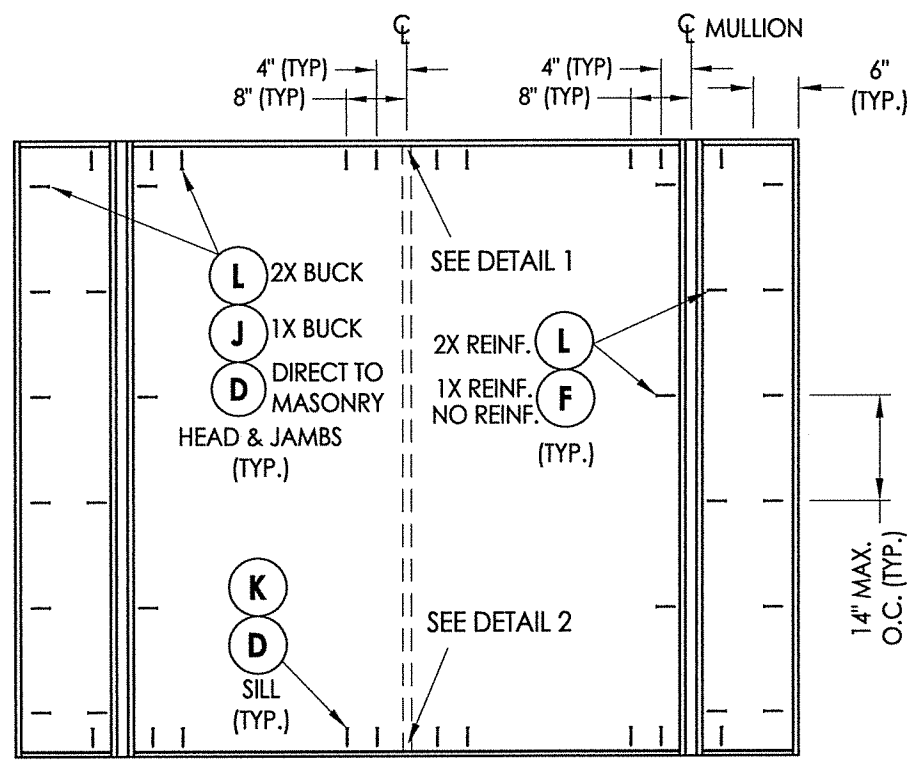
NO.	DATE	BY
1	8/03/17	LFS

UPDATE TO 6TH ED. (2017) FBC

DATE: 5/17/16
SCALE: N.T.S.
DWG. BY: JK
CHK. BY: LFS
DRAWING NO.: FL-20474.6
SHEET 9 OF 11

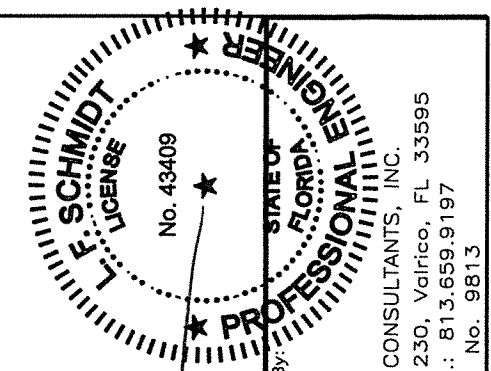
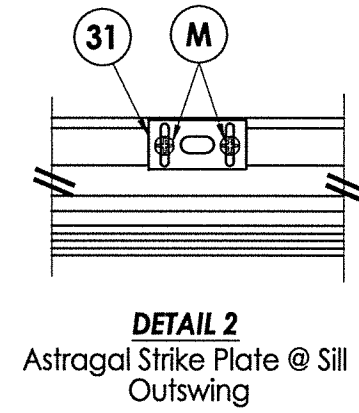
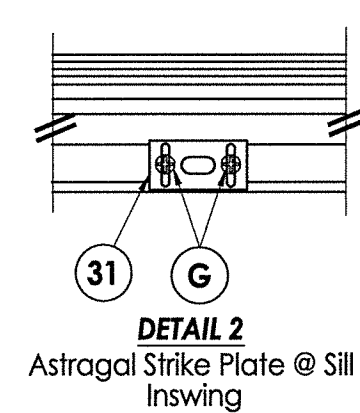
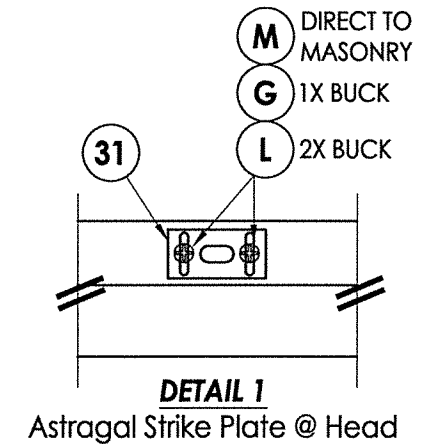


XX



OXXO

FRAME ANCHORING



Documents Prepared By:
Lyndon F. Schmidt
P.E. No. 43409
R.W. BUILDING CONSULTANTS, INC.
P.O. Box 230, Valrico, FL 33595
Phone No.: 813.659.9197
FBPE C.A. No. 9813

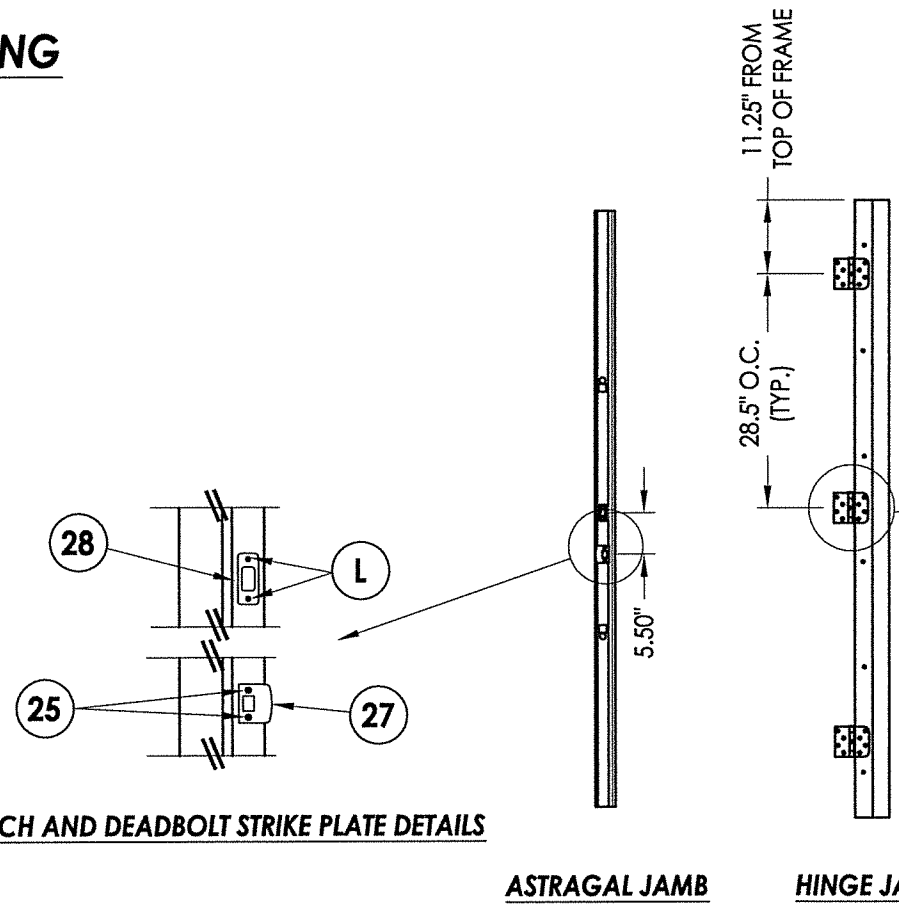
CONCRETE ANCHOR NOTES:

- Concrete anchor locations at the corners may be adjusted to maintain the min. edge distance to mortar joints.
- Concrete anchor locations noted as "MAX. ON CENTER" must be adjusted to maintain the min. edge distance to mortar joints, additional concrete anchors may be required to ensure the "MAX. ON CENTER" dimension are not exceeded.
- Concrete anchor table:

ANCHOR TYPE	ANCHOR SIZE	MIN. EMBEDMENT	MIN. CLEARANCE TO MASONRY EDGE	MIN. CLEARANCE TO ADJACENT ANCHOR
ITW TAPCON®	1/4"	1-1/4"	2"	4"
ELCO ULTRACON®	1/4"	1-1/4"	1"	4"
ITW TAPCON®	3/16"	1-1/4"	3"	1-1/2"

WOOD SCREW INSTALLATION NOTES:

- Maintain a minimum 5/8" edge distance, 1" end distance, & 1" o.c. spacing of wood screws to prevent the splitting of wood.



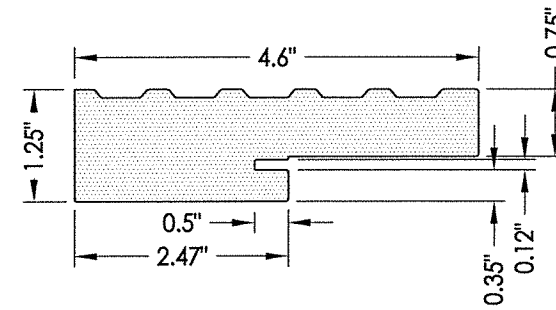
LATCH AND DEADBOLT STRIKE PLATE DETAILS

ASTRAGAL JAMB

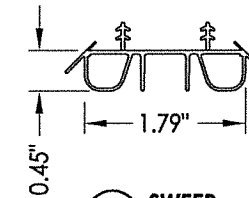
HINGE JAMB

PRODUCT:	SURE ROCK FIBERGLASS DOORS
PART OR ASSEMBLY:	FRAME ANCHORING
NO.	1
DATE	8/03/17
BY	LFS
REVISIONS	UPDATE TO 6TH ED. (2017) FBC
DATE	5/17/16
DWG. BY:	JK
CHK. BY:	LFS
DRAWING NO.:	FL-20474.6
SHEET	10 OF 11

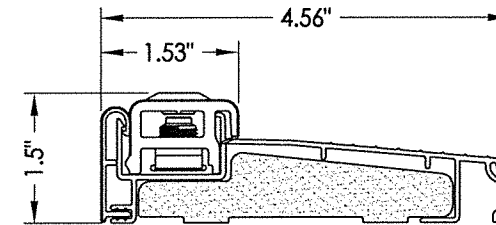
BILL OF MATERIALS		
ITEM #	DESCRIPTION	MATERIAL
A	1X BUCK (SG >= 0.42)	WOOD
B	2X BUCK (SG >= 0.42)	WOOD
C	1/4" MAX. SHIM SPACE	-
D	1/4" X 2-3/4" PFH ELCO OR ITW CONCRETE SCREW	STEEL
E	MASONRY - 3,000 PSI MIN. CONCRETE CONFORMING TO ACI 301 OR HOLLOW BLOCK CONFORMING TO ASTM C90	CONCRETE
F	#10 X 2" PFH WOOD SCREW	STEEL
G	3/16" X 3-1/4" PFH ITW CONCRETE SCREW	STEEL
J	1/4" X 3-3/4" PFH ELCO OR ITW CONCRETE SCREW	STEEL
K	1/4" X 2-1/4" PFH ELCO OR ITW CONCRETE SCREW	STEEL
L	#10 X 2-1/2" PFH WOOD SCREW (1.15" MIN. EMBEDMENT)	STEEL
M	3/16" X 2-1/4" PFH ITW CONCRETE SCREW	STEEL
X	1X OR 2X REINFORCEMENT (SG >= 0.55)	WOOD
1	FRAME (SURE JAMB)	COMP
6	WEATHERSTRIP (Q-LON)	FOAM
8	SWEEP	VINYL
13	INSWING THRESHOLD	ALUM/COMP
14	OUTSWING THRESHOLD	ALUM/COMP
18	INSWING SIDELITE SPACER	PVC
19	OUTSWING SIDELITE SPACER	PVC
23	#10 x 3/4" PFH WOOD SCREW	STEEL
24	#10 x 1" PFH WOOD SCREW	STEEL
25	#8 x 2-1/2" PFH WOOD SCREW	STEEL
27	LATCH STRIKE PLATE	STEEL
28	DEADBOLT STRIKE PLATE	STEEL
29	4" X 4" HINGE	STEEL
30	ENDURA ULTIMATE HURRICANE ASTRAGAL	ALUM
31	ASTRAGAL SHOOTBOLT STRIKE PLATE	STEEL
40	DOOR PANEL	-



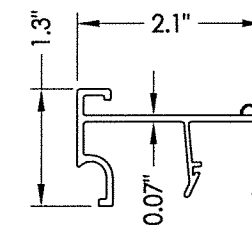
1 FRAME SURE JAMB



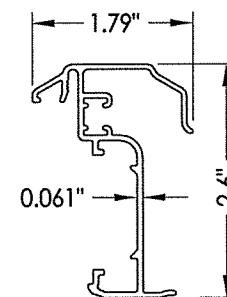
8 SWEEP



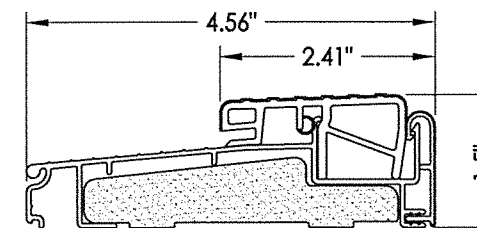
13 INSWING THRESHOLD ENDURA (Z-SERIES)



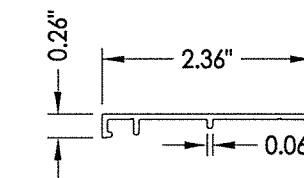
18 INSWING SIDELITE SPACER



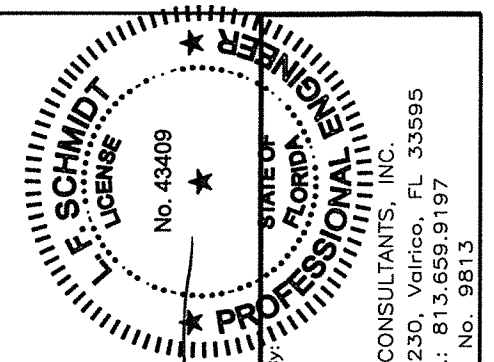
30 ULTIMATE HURRICANE ASTRAGAL ENDURA



14 OUTSWING THRESHOLD ENDURA (Z-SERIES)



19 OUTSWING SIDELITE SPACER



Documents Prepared By:
Lyndon F. Schmidt
P.E. No. 43409

R.W. BUILDING CONSULTANTS, INC.
P.O. Box 230, Valrico, FL 33595
Phone No.: 813.659.9197
FBPE C.A. No. 9813

PRODUCT:
SURE ROCK
FIBERGLASS DOORS

PART OR ASSEMBLY:
BILL OF MATERIALS
& COMPONENTS

NO.	DATE	REVISIONS
1	8/03/17	UPDATE TO 6TH ED. (2017) FBC
		LFS
		BY

DATE:	5/17/16
SCALE:	N.T.S.
DWG. BY:	JK
CHK. BY:	LFS
DRAWING NO.:	FL-20474.6
SHEET	11 OF 11